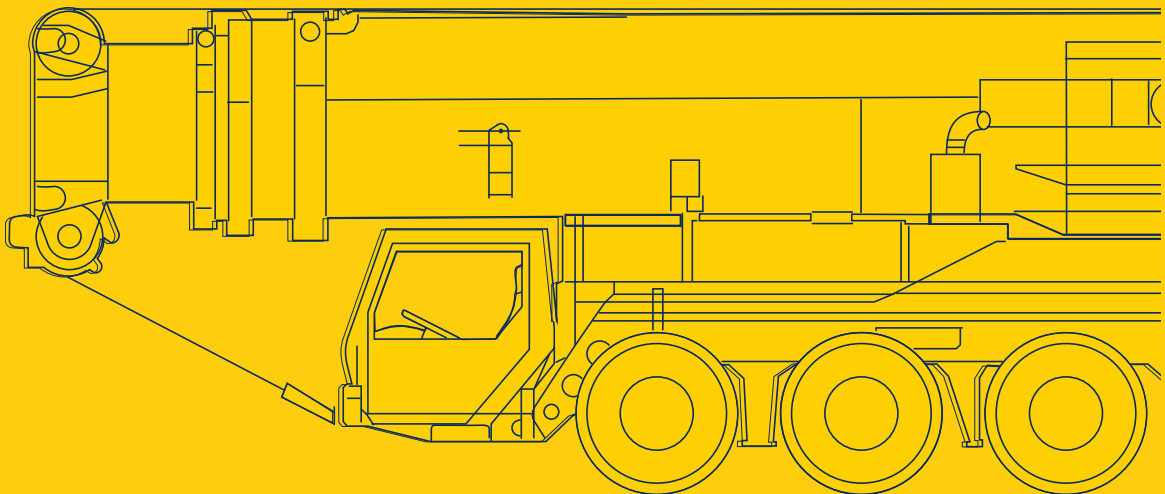




EUROGRUAS

500t

LIEBHERR LTM 1500 - 8.1

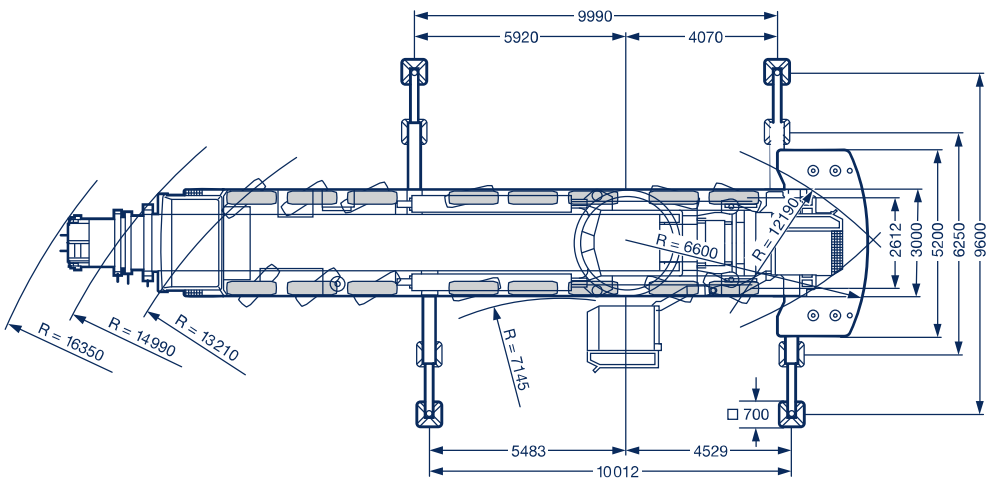
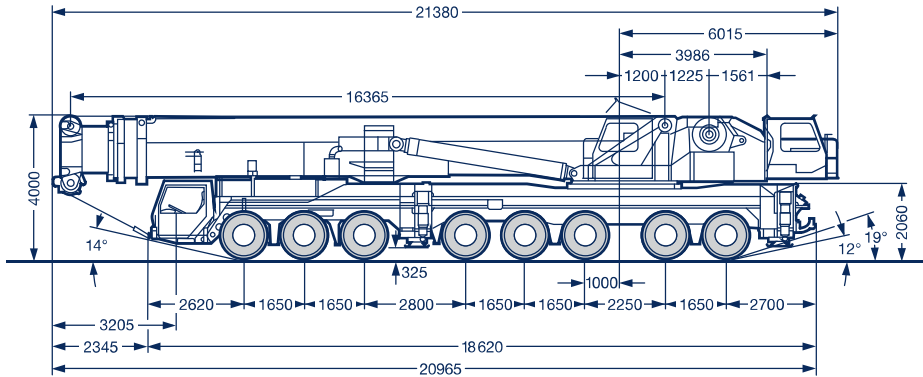


LIEBHERR LTM 1500 - 8.1

DIMENSIONES / DIMENSIONS

Con pluma telescópica de 50 m. / With 50 m. telescopic boom

500t





LIEBHERR LTM 1500 - 8.1

ESPECIFICACIONES / SPECIFICATIONS

500t

CARGAS POR EJE / AXLE LOADS									
Cargas por Eje Axle Loads	1	2	3	4	5	6	7	8	Total
t	12	12	12	12	12	12	12	12	96*

*con pluma de 50 m. / with 50 m long telescopic boom

GANCHO / HOOK				
Capacidad de carga Load capacity	Poleas Shaves	Reenvios N° of lines	Peso kg. Weight kg.	Modelo Type
282,0	13	27	6000	320 DSM
247,0	11	23	3500	250 DSM
171,0	7	15	2750	200 DSM
84,0	3	7	1800	80 DM
37,0	1	3	1230	40 EM
12,5	-	1	600	12,5 E

VELOCIDADES / SPEEDS									
Velocidades Speeds	1	2	3	4	5	R	Pendiente Slope		
14.00 R 25	km / h	13,0	21,0	33,0	48,0	70,0	14,0	17%	
	Slow	2,0	12,0	19,0	28,0	40,0	8,5	31%	
16.00 R 25	km / h	14,3	23,0	36,3	52,5	77,0	15,4	15,4%	
	Slow	2,2	13,2	21,0	30,8	44,0	9,4	28%	

ACCIONAMIENTO / DRIVE				
Tipo Type	Regulable sin escalonamiento infinitely variable		Diametro / Longitud de cable Diameter / Rope length	Tiro max. en cable Max. sigle line pull
	0 - 130	m/min tiro directo m/min single tire	25 mm / 450 m / 620 m	126 KN
	0 - 145	m/min tiro directo m/min single tire	25 mm / 620 m	126 KN
	0 - 130	m/min tiro directo m/min single tire	25 mm / 1050 m	126 KN
	0 - 1	m/min ⁻¹		
	aprox. 70 s elevación pluma hasta 83° approx. 70 s to reach 83° boom angle			
	aprox. 330 s para telescopar la pluma de 16,1 m - 50 m approx. 330 s for boom extension from 16,1 m - 50 m			

LIEBHERR LTM 1500 - 8.1



CAPACIDADES DE CARGA CON PLUMA TELESCÓPICA / LIFTING CAPACITIES ON TELESCOPIC BOOM

500t

135 t	10 m x 9,6 m			16,1 m - 50 m				360°	DIN / ISO	
Radio Radius m	16,1			Pluma principal / Main Boom						
	t	t	t	21,3	26,5	31,7	36,9	42,1	47,3	50
	t	t	t	t	t	t	t	t	t	t
3	500,0 ⁽¹⁾	500,0 ⁽²⁾	500,0							
3,5	400,0 ⁽¹⁾	400,0 ⁽²⁾	400,0	272,0						
4	325,0 ⁽¹⁾	325,0 ⁽²⁾	325,0	267,0	247,0					
4,5	274,0 ⁽¹⁾	274,0 ⁽²⁾	269,0	263,0	238,0					
5	268,0 ⁽¹⁾	262,0 ⁽²⁾	252,0	251,0	231,0	187,0				
6	238,0 ⁽¹⁾	233,0 ⁽²⁾	223,0	221,0	212,0	171,0	150,0			
7	213,0 ⁽¹⁾	209,0 ⁽²⁾	199,0	199,0	195,0	158,0	139,0	121,0		
8	193,0 ⁽¹⁾	189,0 ⁽²⁾	179,0	179,0	178,0	147,0	129,0	113,0	98,0	
9	176,0 ⁽¹⁾	168,0 ⁽²⁾	162,0	162,0	161,0	138,0	120,0	106,0	93,0	81,0
10	161,0 ⁽¹⁾	150,0 ⁽²⁾	147,0	147,0	146,0	130,0	112,0	100,0	88,0	76,0
12	133,0 ⁽¹⁾	124,0 ⁽²⁾	123,0	124,0	122,0	111,0	98,0	88,0	80,0	69,0
14	113,0 ⁽¹⁾	105,0 ⁽²⁾	105,0	106,0	104,0	99,0	87,0	79,0	72,0	62,0
16				92,0	90,0	89,0	78,0	71,0	64,0	56,0
18				80,0	79,0	79,0	71,0	63,0	58,0	52,0
20				66,0	71,0	70,0	63,0	57,0	53,0	47,0
22					63,0	62,0	59,0	53,0	48,5	42,5
24					57,0	56,0	55,0	49,5	44,0	38,5
26						50,0	50,0	46,0	41,0	35,5
28						46,0	46,0	43,0	38,0	33,0
30						42,0	42,0	40,5	35,5	30,5
32							38,5	37,0	33,0	27,9
34							35,5	34,5	31,0	26,3
36								32,5	29,4	24,7
38								30,5	27,9	23,3
40								28,6	26,4	21,9
42									24,9	20,6
44									23,5	19,4
46									18,0	18,2
48										17,0

(1) Hacia atrás, 165 t de contrapeso / Over rear, 165 t counterweight
 (2) Hacia atrás / Over rear

LIEBHERR LTM 1500 - 8.1



EUROGRUAS

CAPACIDADES DE CARGA CON PLUMA TELESCÓPICA / LIFTING CAPACITIES ON TELESCOPIC BOOM

500t

105 t		10 m x 9,6 m		16,1 m - 50 m			360°		DIN / ISO	
Radio Radius m	Pluma principal / Main Boom									
	16,1		21,3		26,5	31,7	36,9	42,1	47,3	50
	t		t		t	t	t	t	t	t
3	274,0 ⁽²⁾	274,0								
3,5	274,0 ⁽²⁾	274,0	274,0							
4	274,0 ⁽²⁾	274,0	274,0	247,0						
4,5	274,0 ⁽²⁾	263,0	261,0	238,0						
5	257,0 ⁽²⁾	245,0	244,0	231,0	187,0					
6	228,0 ⁽²⁾	217,0	215,0	212,0	171,0	150,0				
7	201,0 ⁽²⁾	192,0	192,0	192,0	158,0	139,0	121,0			
8	175,0 ⁽²⁾	171,0	171,0	170,0	147,0	129,0	113,0	98,0		
9	156,0 ⁽²⁾	154,0	153,0	153,0	138,0	120,0	106,0	93,0	81,0	
10	140,0 ⁽²⁾	139,0	139,0	138,0	130,0	112,0	100,0	88,0	76,0	
12	115,0 ⁽²⁾	115,0	116,0	114,0	111,0	98,0	88,0	80,0	69,0	
14	97,0 ⁽²⁾	97,0	98,0	96,0	97,0	87,0	79,0	72,0	62,0	
16			84,0	84,0	83,0	78,0	71,0	64,0	56,0	
18			73,0	73,0	72,0	70,0	63,0	58,0	52,0	
20			64,0	64,0	63,0	62,0	57,0	53,0	47,0	
22				56,0	55,0	55,0	53,0	48,5	42,5	
24				50,0	50,0	49,5	48,5	44,0	38,5	
26					46,0	44,0	43,5	41,0	35,5	
28						41,5	40,5	38,0	33,0	
30						38,0	36,0	37,0	30,5	
32							32,5	33,5	27,9	
34							30,0	30,5	26,3	
36								28,1	24,7	
38								25,9	23,3	
40								24,0	21,9	
42									20,6	
44									19,4	
46									18,0	
48										16,7

(2) Hacia atrás / Over rear

LIEBHERR LTM 1500 - 8.1



TABLAS DE CARGA CON PLUMA TELESCÓPICA ARRIOSTRADA / LIFTING CAPACITIES ON GUYED TELESCOPIC BOOM

500t

165 t		10 m x 9,6 m		31,7 m - 50 m		360°		DIN / ISO	
Radio Radius m	Pluma principal / Main Boom					50			
	31,7	36,9	42,1	47,3	50		t	t	t
8		165,0							
9	162,0	153,0		143,0	133,0	114,0			
10	149,0	142,0		133,0	125,0	114,0			
12	129,0	123,0		116,0	111,0	108,0			
14	111,0	108,0		105,0	99,0	97,0			
16	97,0	97,0		93,0	90,0	88,0			
18	85,0	86,0		84,0	83,0	81,0			
20	75,0	76,0		75,0	75,0	74,0			
22	67,0	68,0		66,0	67,0	68,0			
24	60,0	61,0		59,0	60,0	61,0			
26	54,0	55,0		53,0	55,0	55,0			
28	45,5	50,0		48,5	49,5	50,0			
30	36,5	46,0		44,0	45,0	45,5			
32		42,0		40,0	41,0	41,5			
34		34,5		36,5	37,5	38,0			
36				33,5	34,5	35,0			
38				28,6	32,0	32,0			
40				23,0	29,3	29,6			
42					27,1	27,4			
44					24,1	25,4			
46					15,0	23,5			
48						17,7			

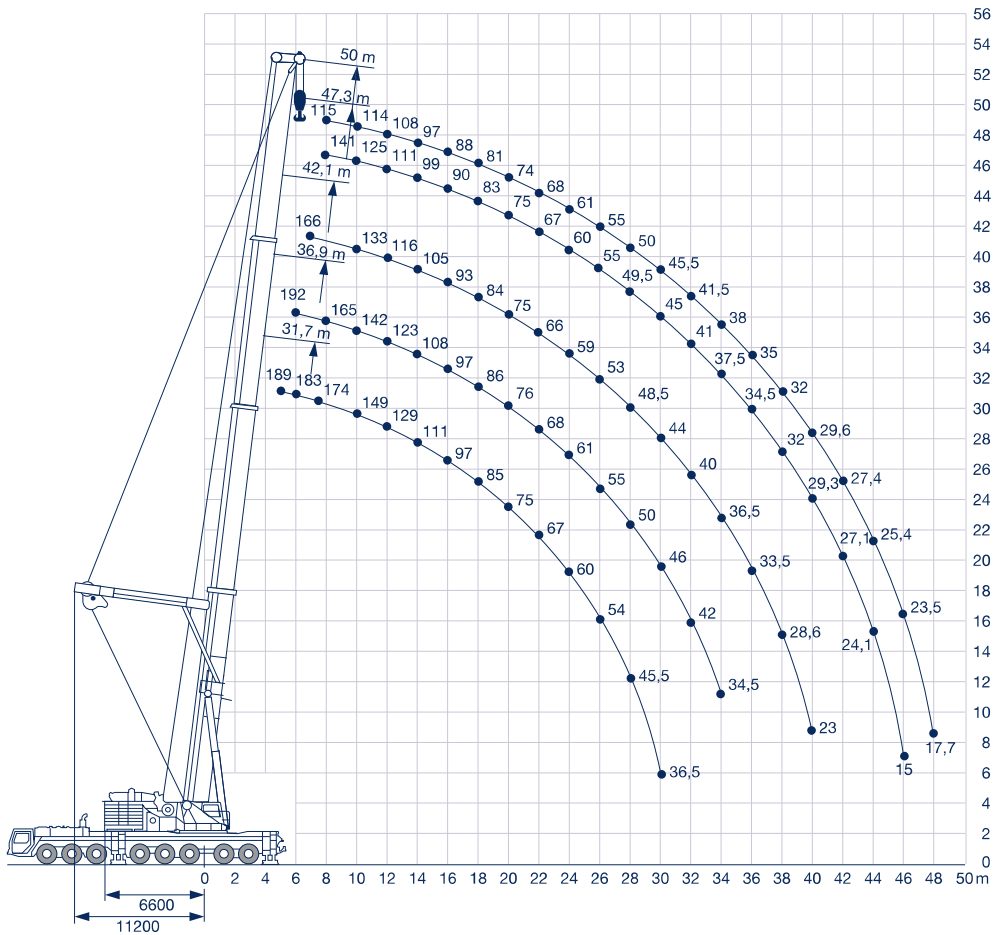
135 t		10 m x 9,6 m		31,7 m - 50 m		360°		DIN / ISO	
Radio Radius m	Pluma principal / Main Boom					50			
	31,7	36,9	42,1	47,3	50		t	t	t
5	189,0								
6	183,0	192,0							
7	178,0	180,0		166,0					
8	174,0	165,0		154,0	141,0	115,0			
9	162,0	153,0		143,0	133,0	114,0			
10	148,0	142,0		133,0	125,0	114,0			
12	124,0	123,0		116,0	111,0	108,0			
14	106,0	107,0		104,0	99,0	97,0			
16	91,0	92,0		90,0	89,0	88,0			
18	79,0	80,0		78,0	79,0	78,0			
20	70,0	71,0		69,0	70,0	70,0			
22	61,0	63,0		61,0	62,0	62,0			
24	55,0	56,0		54,0	55,0	56,0			
26	49,0	50,0		48,5	49,5	50,0			
28	44,0	45,5		43,5	44,5	45,0			
30	36,5	41,0		39,0	40,5	40,5			
32		37,5		35,5	36,5	37,0			
34		34,0		32,0	33,5	33,5			
36				29,3	30,5	31,0			
38				26,8	27,9	28,2			
40				23,0	25,6	25,9			
42					23,5	23,8			
44					21,7	21,9			
46					15,0	20,2			
48						17,7			

LIEBHERR LTM 1500 - 8.1



DIAGRAMA DE ALCANCES / WORKING RANGES

500t



LIEBHERR LTM 1500 - 8.1



TABLAS DE CARGA CON PLUMA TELESCÓPICA ARRIOSTRADA Y PLUMÍN ABATIBLE / LIFTING CAPACITIES ON LUFFING FLY JIB WITH GUYED TELESCOPIC BOOM

500t

165 t 10 m x 9,6 m 36,9 m - 42,1 m / 75° 21 m - 91 m 360° DIN / ISO																							
Radio Radius m	Pluma principal / Main boom																						
	36,9 m + 4 m*										42,1 m + 4 m*												
	21 m	28 m	35 m	42 m	49 m	56 m	63 m	70 m	77 m	84 m	91 m	21 m	28 m	35 m	42 m	49 m	56 m	63 m	70 m	77 m	84 m	91 m	
24	61,0																						
26	56,0	55,0										53,0											
28	52,0	51,0										49,5	48,5										
30	48,0	47,0	46,5									46,5	45,5										
32	44,5	44,0	43,5									43,5	43,0	41,5									
34		41,0	40,5	40,0									40,0	39,5									
36		38,5	38,0	37,5	37,0								37,5	37,0	36,0								
38		36,0	35,5	35,0	34,5								35,5	34,5	34,0	33,0							
40			33,5	33,0	32,5	31,5							33,5	32,5	32,0	31,5							
42			32,0	31,0	30,5	29,9	28,3							31,0	30,0	29,6	28,9						
44			30,0	29,6	29,0	28,3	27,9							29,1	28,6	28,0	27,5	25,3					
46			28,5	28,0	27,4	26,7	26,4	20,7						27,6	27,1	26,5	26,0	24,7					
48				26,6	26,0	25,3	25,0	20,2							25,7	25,1	24,6	24,0	19,9				
50				25,3	24,7	24,0	23,7	19,6	18,3						24,4	23,9	23,4	22,8	19,4				
52				24,1	23,5	22,8	22,5	19,1	17,9	13,4					23,2	22,7	22,2	21,6	19,0	17,4			
54					22,4	21,7	21,4	18,6	17,6	13,1					22,2	21,6	21,1	20,5	18,5	17,2	12,9		
56					21,4	20,7	20,4	18,2	17,2	12,8	11,1				20,6	20,1	19,5	18,1	16,9	12,6			
58					20,4	19,8	19,4	17,9	16,8	12,4	10,8				19,7	19,2	18,6	17,7	16,6	12,3	10,7		
60					19,5	18,9	18,5	17,5	16,5	12,1	10,6					18,8	18,3	17,8	17,4	16,3	12,1	10,5	
62						18,0	17,7	17,2	16,3	11,9	10,4						17,5	17,0	16,6	15,8	11,8	10,3	
64						17,3	16,9	16,6	15,9	11,6	10,2						16,8	16,2	15,9	15,2	11,5	10,1	
66						16,5	16,2	15,8	15,2	11,3	10,0						16,0	15,5	15,2	14,5	11,3	9,9	
68							15,5	15,2	14,5	11,1	9,8						15,4	14,8	14,5	13,9	11,1	9,7	
70							14,9	14,5	13,9	10,9	9,6							14,2	13,9	13,2	10,9	9,5	
72							14,3	13,9	13,3	10,7	9,5							13,6	13,3	12,6	10,7	9,4	
74							13,7	13,3	12,7	10,5	9,3							13,1	12,7	12,1	10,5	9,2	
76								12,8	12,2	10,3	9,2									12,2	11,6	10,3	9,1
78								12,3	11,7	10,1	9,0									11,7	11,1	10,1	9,0
80								11,8	11,2	9,9	8,9									11,2	10,6	9,9	8,8
82									10,7	9,7	8,7									10,8	10,1	9,6	8,7
84									10,3	9,5	8,6										9,7	9,2	8,4
86									9,8	9,3	8,5										9,3	8,8	8,1
88									9,5	9,0	8,3										8,9	8,4	7,7
90										8,6	8,1											8,0	7,4
92										8,2	7,7											7,7	7,1
94										7,9	7,4											7,4	6,9
96											7,0											7,1	6,7
98											6,7												6,4
100											6,4												6,1




(*) Adaptador / adaptador

LIEBHERR LTM 1500 - 8.1



TABLAS DE CARGA CON PLUMA TELESCÓPICA ARRIOSTRADA Y PLUMÍN ABATIBLE / LIFTING CAPACITIES ON LUFFING
FLY JIB WITH GUYED TELESCOPIC BOOM

500t

165 t  10 m x 9,6 m  47,3 m / 75°  21 m - 91 m 360° DIN / ISO											
Radio Radius m	Pluma principal / Main boom 47,3 m + 4 m*										
	21 m	28 m	35 m	42 m	49 m	56 m	63 m	70 m	77 m	84 m	91 m
28	45,0										
30	42,5	41,5									
32	40,5	39,0									
34	38,5	37,0	36,0								
36		35,0	34,0	32,5							
38		33,5	32,0	31,0							
40		32,0	30,5	29,5	28,7						
42		30,5	29,4	28,2	27,6						
44			28,2	27,1	26,4	24,1					
46			26,9	26,1	25,2	23,3	20,7				
48			25,5	25,0	24,2	22,5	20,1				
50				23,8	23,0	21,7	19,5	17,2			
52				22,6	21,8	21,0	18,9	16,7			
54				21,5	20,8	20,3	18,3	16,2	14,5		
56				20,5	19,8	19,3	17,5	15,7	14,1		
58					18,9	18,4	16,8	15,0	13,8	12,1	
60					18,0	17,6	16,2	14,3	13,4	11,9	9,9
62					17,3	16,8	15,6	13,7	12,8	11,6	9,5
64						16,0	15,0	13,2	12,2	11,0	9,1
66						15,4	14,4	12,6	11,7	10,5	8,6
68						14,7	13,9	12,1	11,2	10,0	8,1
70						14,1	13,3	11,7	10,8	9,6	7,7
72							13,0	11,2	10,3	9,2	7,2
74							12,4	10,7	9,9	8,8	6,9
76								11,9	10,3	9,5	8,4
78									10,0	9,1	8,0
80									9,9	8,7	7,7
82									9,8	8,3	7,3
84									9,7	8,0	7,0
86										8,0	6,7
88										7,9	6,3
90										7,8	6,1
92											6,0
94											6,0
96											5,9
98											5,9
100											3,8
104											3,7

(*) Adaptador / adaptador