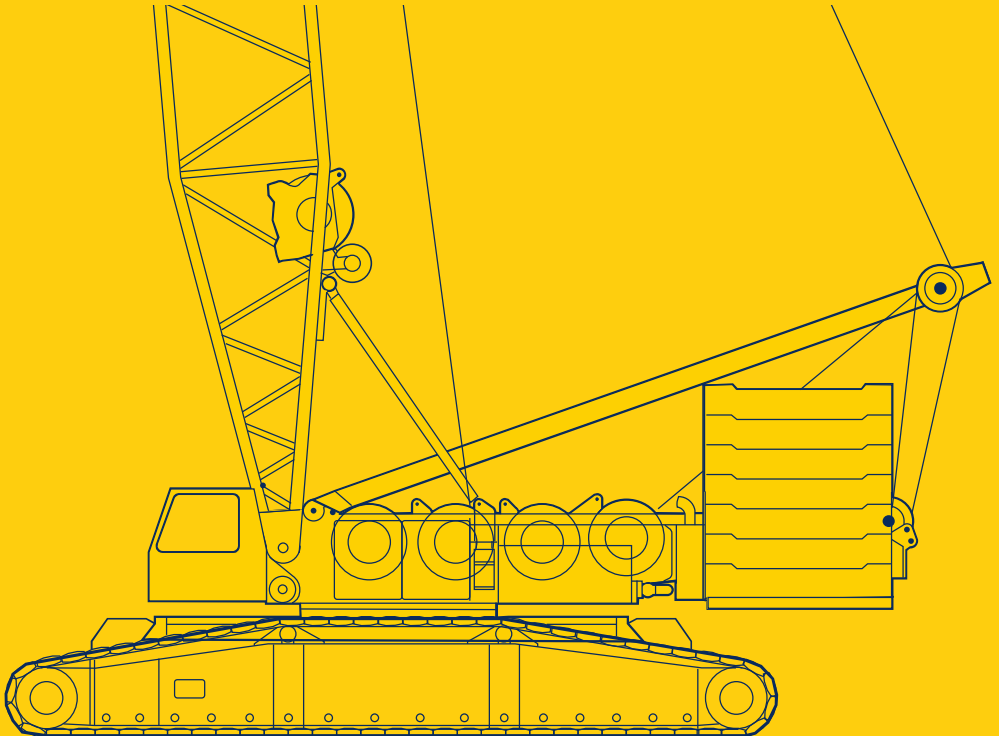




EUROGRUAS

400 t

LIEBHERR LR 1400-2

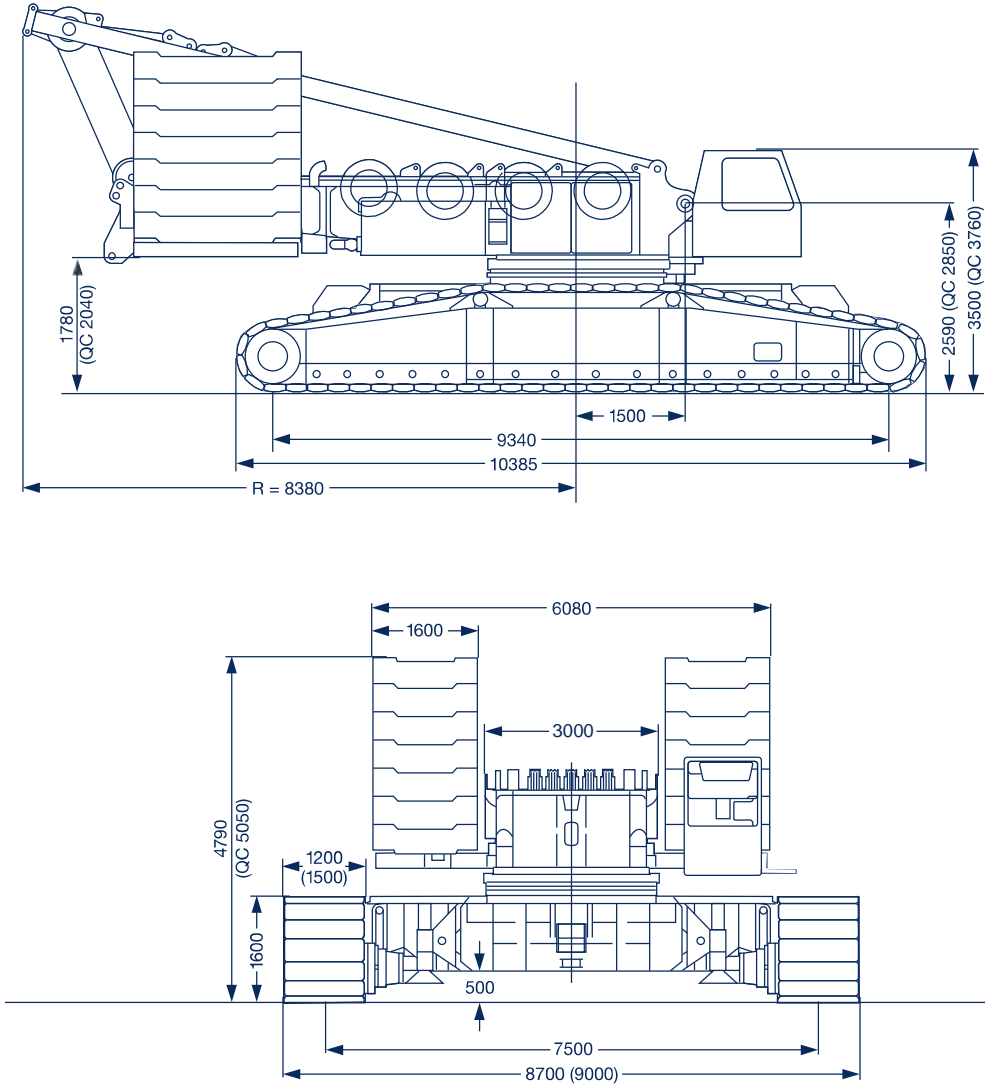


LIEBHERR LR 1400 -2



DIMENSIONES / DIMENSIONS

400 t



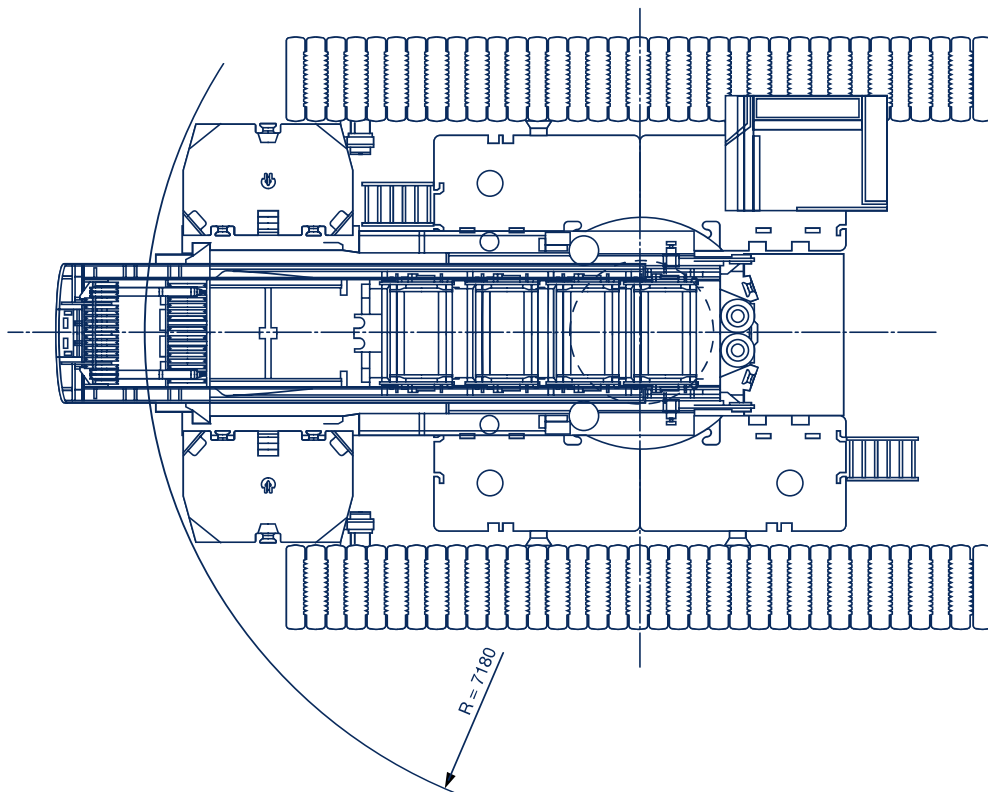
() = Oruga con ancho de 1500 mm / Pad width 1500 mm
QC = Conexión rápida / Quick connection

LIEBHERR LR 1400 -2

DIMENSIONES / DIMENSIONS



400 t

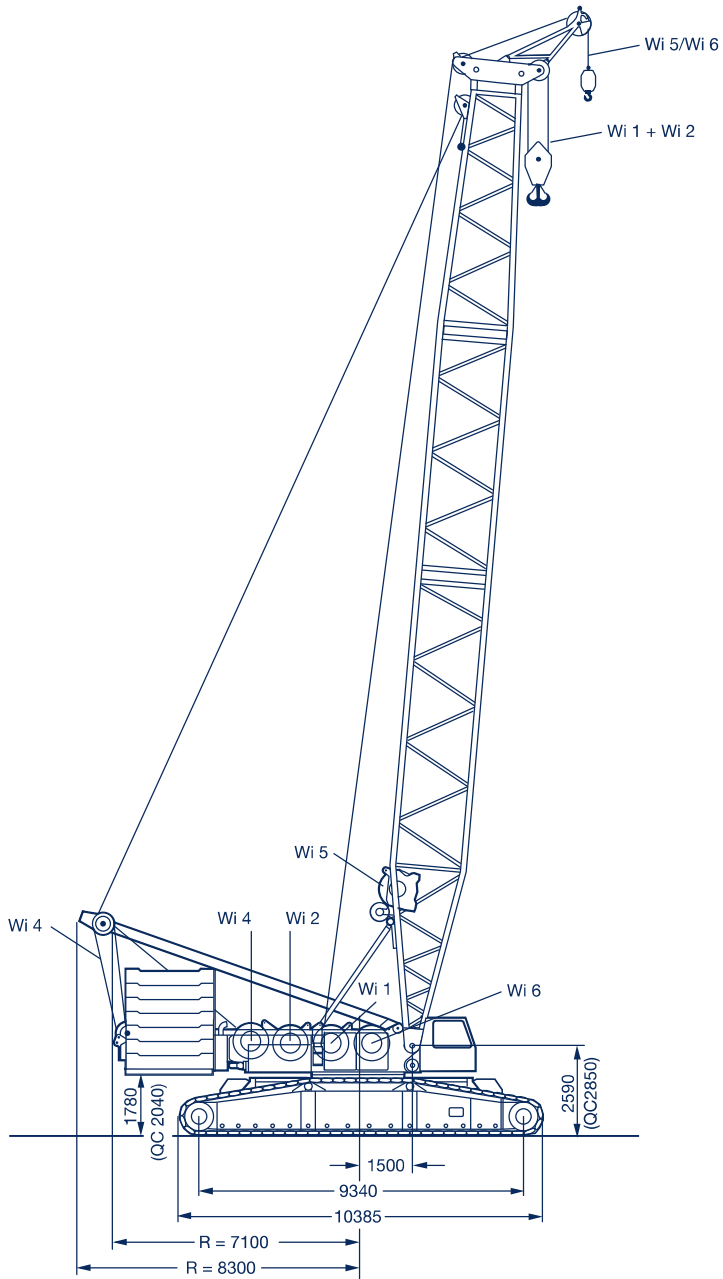


LIEBHERR LR 1400 -2

DIMENSIONES / DIMENSIONS



400 t



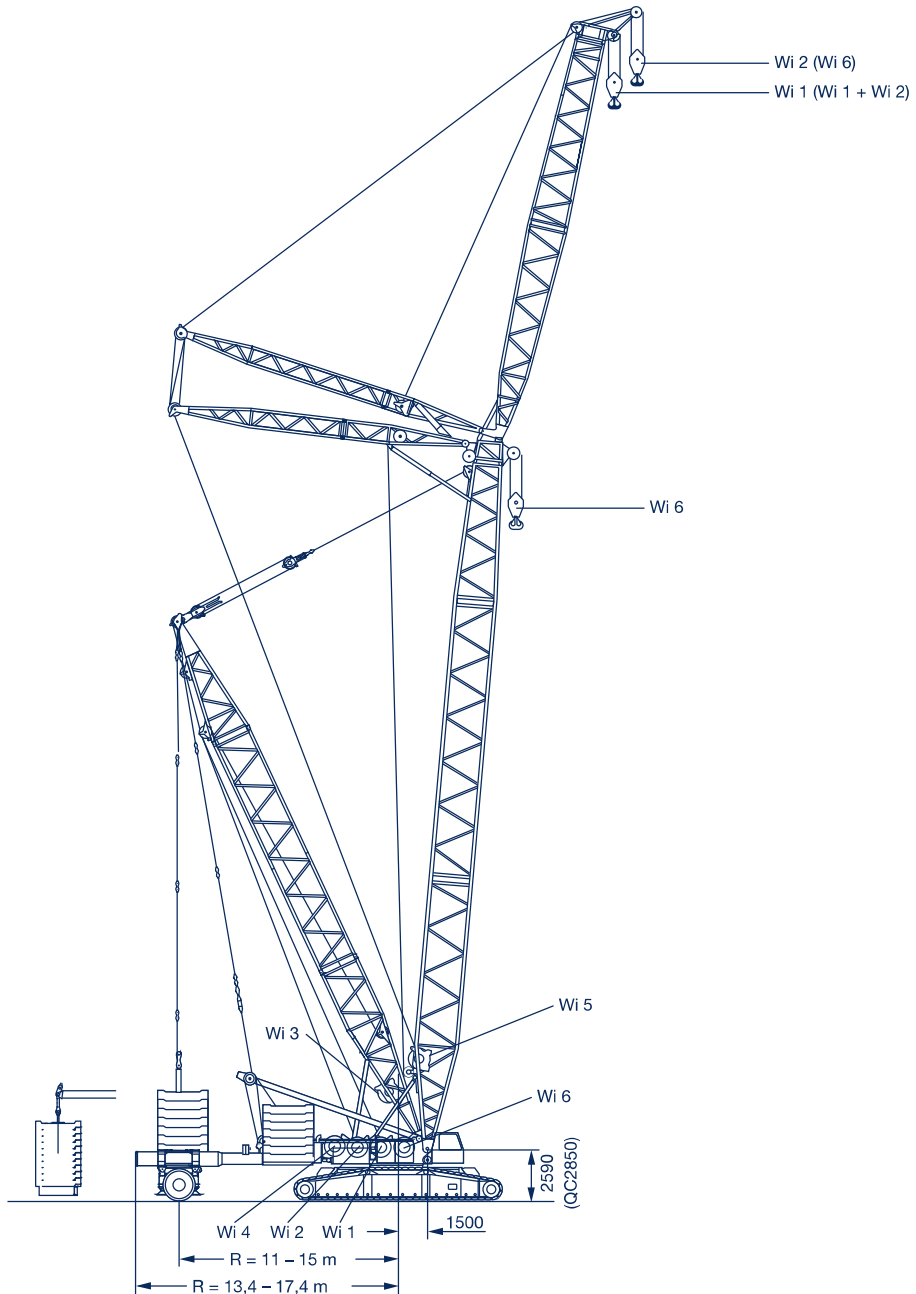
QC= Conexión rápida / Quick connection

LIEBHERR LR 1400 -2





DIMENSIONES / DIMENSIONS











400 t



QC= Conexión rápida / Quick connection

ACCIONAMIENTO / DRIVE	
	<p>Fuerza de empuje por una cadena Total driving force with two drives per crawler carrier</p> <p>2140 KN</p> <p>Fuerza de empuje por dos cadenas Total driving force with two drives per crawler carrier</p> <p>3490 KN</p>
	<p>Peso total con pluma principal S 21 m, 135 t de contrapeso, 43 t de contrapeso central y 80 t de gancho Total weight with main boom S 21 m, 135 t counterweight, 43 t central ballast and 80 t hook block</p> <p>300 t</p>
	<p>Promedio de presión de 300 t y 1,2 m de ancho de orugas Ground pressure at 300 t total weight and 1,2 m track pads</p> <p>13,5 N/cm²</p>
	0 - 1,8

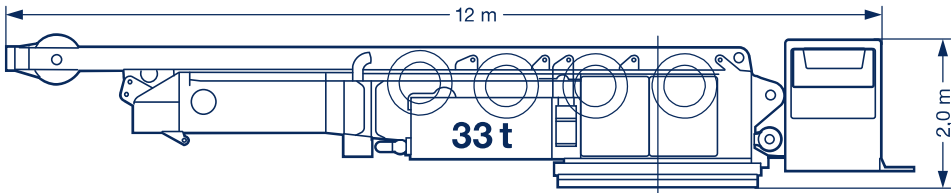
ACCIONAMIENTO / DRIVE					
Tipo Type	Modo Mode	Velocidad Speed	Tiro max. en cable Max. sigle line pull	Diametro de cable Rope diameter	Longitud de cable Rope length
	Cabrestante mecánico Hoist gear	0 - 134 m/min	125 kN	25 mm	1000 m
	Cabrestante mecánico Hoist gear	0 - 134 m/min	125 kN	25 mm	1000 m
	Pluma principal con derrick D-operación Derricking main boom D-operation	0 - 145 m/min	130 kN	25 mm	930 m
	Pluma principal con derrick Derrick main boom	2 x 0 - 70 m/min	2 x 125 kN	25 mm	580 m
	Plumin abatible con derrick Derricking luffing fly jib	0 - 134 m/min	125 kN	25 mm	750 m
	Cabrestante mecánico / Polea simple Hoist gear / Whipline	0 - 134 m/min	125 kN	25 mm	500 m
	0 - 87°		aprox. 4 min. con longitud de pluma 49 m. approx. 4 min. for boom length 49 m.		
			0 - 1,2 min. ⁻¹		

LIEBHERR LR 1400 -2

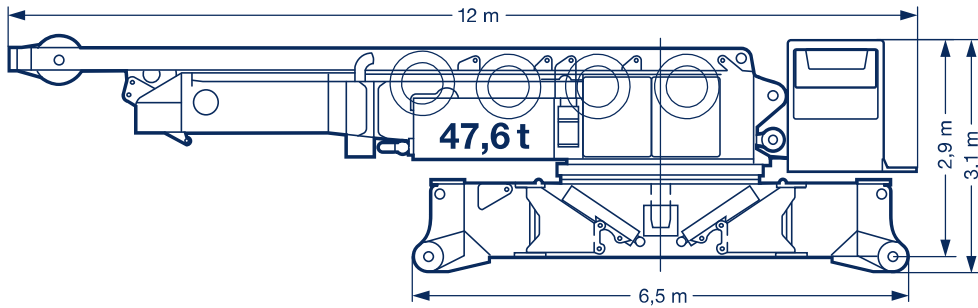
PLAN DE TRANSPORTE / TRANSPORT PLAN

400 t

Superestructura con cabrestante IV incluida cable y conexión rápida / *Superstructure with winch IV incl. rope and Quick Connection*

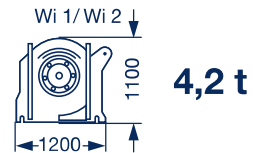
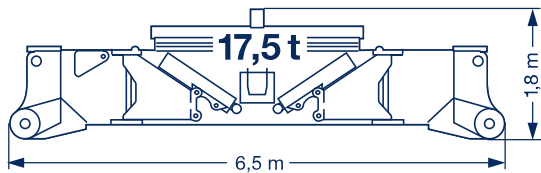


Superestructura con cabrestante IV incluida cable, sección central sin conexión rápida / *Superstructure with winch IV incl. rope and center section without Quick Connection*

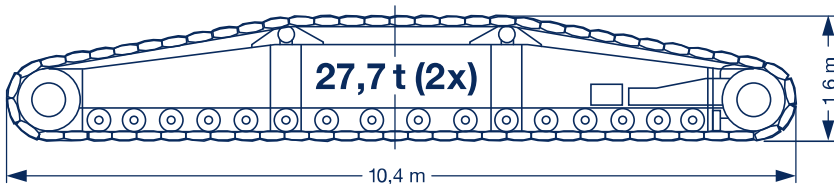


Sección central cadena con conexión rápida / *Crawler center section with Quick Connection*

Cabrestante 1/2 incluidas cable / *winch 1/2 incl. rops*



Orugas / *Crawler*

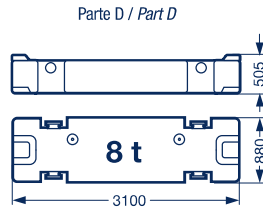
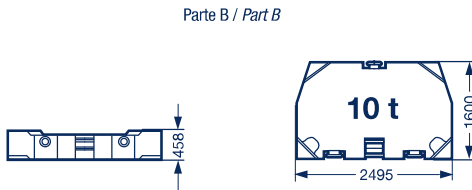
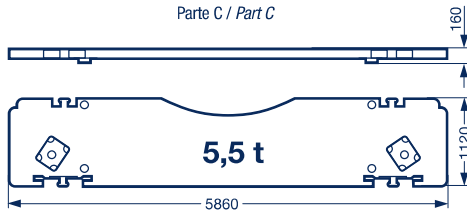
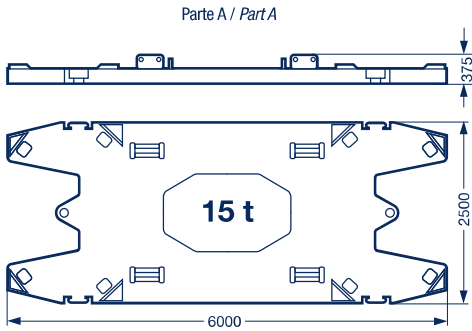
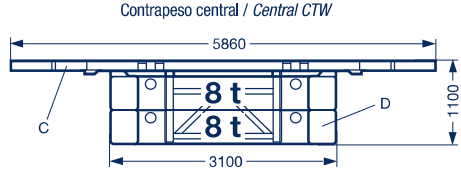
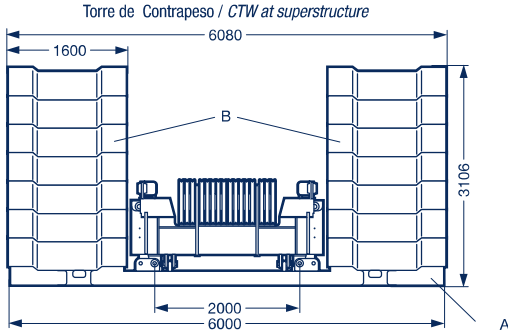


LIEBHERR LR 1400 -2

PLAN DE TRANSPORTE / TRANSPORT PLAN

400 t

Tipos de Contrapeso / Counterweight versions



	Parte A / Part A 15 t	Parte B / Part B 10 t
135 t	1 x	12 x
155 t	1 x	12 x

	Parte C / Part C 5,5 t	Parte D / Part D 8 t
11 t	2 x	0 x
43 t	2 x	4 x

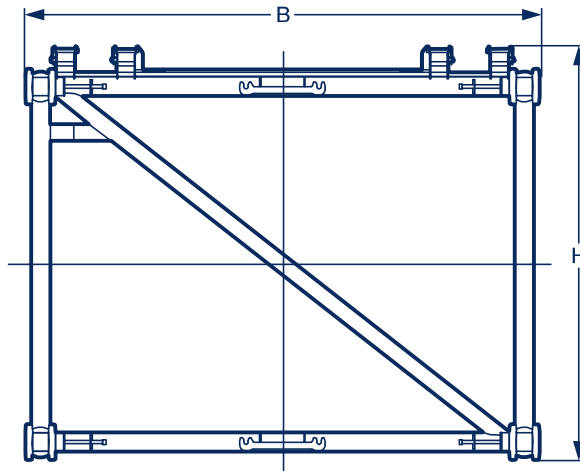
LIEBHERR LR 1400 -2



PLAN DE TRANSPORTE / TRANSPORT PLAN

400 t




Secciones intermedias de pluma <i>Boom intermediate sections</i>	B x H	Logitud de base <i>Base length</i>	Logitud de transporte <i>Transport length</i>	Pesos* <i>Weight *</i>
LA 2620.10	2,8 m x 2,4 m	7 m	7,4 m	2,9 t
		14 m	14,4 m	5,4 t
LA 2620,8	2,8 m x 2,4 m	14 m	14,4 m	4,4 t
NA 2115.10	2,3 m x 1,8 m	7 m	7,4 m	1,5 t
		14 m	14,4 m	2,8 t
NI 1812.10	2 m x 1,5 m	7 m	7,4 m	1,4 t
		14 m	14,4 m	2,5 t
D 2115.20	2,5 m x 1,9 m	7 m	7,4 m	2,7 t
S 2620.20	2,8 m x 2,4 m	7 m	7,4 m	3,7 t
		14 m	14,4 m	6,9 t
W 2116.20	2,8 m x 1,9 m	7 m	7,4 m	1,7 t
		14 m	14,4 m	3 t



**LIEBHERR LR 1400 -2**

CAPACIDADES DE CARGA CON PLUMA PRINCIPAL S / LIFTING CAPACITIES ON S BOOM

400 t

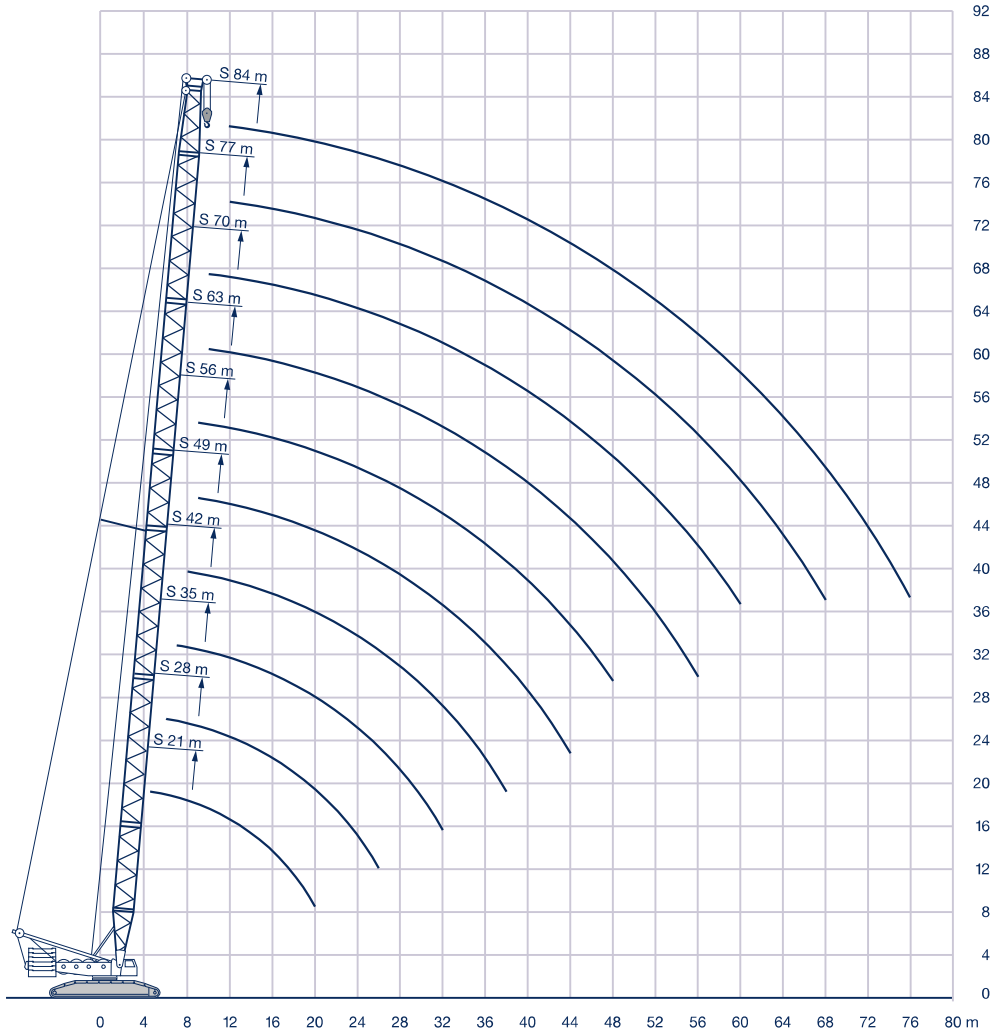
43 t 		 155 t / 135 t		 21 m - 84 m		360°				
Radio Radius m	Pluma principal / Main Boom									
	21	28	35	42	49	56	63	70	77	84
	m	m	m	m	m	m	m	m	m	m
4,5	400,0									
5	368,0									
5,5	338,0									
6	312,0	305,0								
6,5	290,0	283,0								
7	270,0	265,0	270,0	264,0						
8	238,0	244,0	239,0	233,0	228,0					
9	213,0	217,0	213,0	208,0	204,0	193,0				
10	200,0	196,0	192,0	188,0	184,0	174,0	163,0	147,0		
11	182,0	179,0	175,0	171,0	167,0	158,0	149,0	140,0	125,0	
12	167,0	164,0	161,0	157,0	152,0	144,0	136,0	129,0	122,0	109,0
14	143,0	140,0	137,0	133,0	129,0	122,0	116,0	110,0	104,0	99,0
16	118,0	118,0	117,0	114,0	111,0	105,0	100,0	95,0	91,0	86,0
18	100,0	100,0	99,0	98,0	97,0	92,0	88,0	83,0	79,0	76,0
20	87,0	86,0	86,0	85,0	84,0	81,0	78,0	74,0	70,0	67,0
22		76,0	75,0	74,0	73,0	72,0	69,0	66,0	63,0	60,0
24		67,0	66,0	65,0	65,0	64,0	62,0	59,0	56,0	54,0
26		60,0	60,0	58,0	58,0	57,0	56,0	53,0	51,0	48,5
28			54,0	53,0	52,0	51,0	50,0	48,5	46,0	43,5
30			49,0	47,5	47,0	46,0	45,0	44,0	41,5	39,5
32			44,5	43,5	42,5	41,5	40,5	39,5	38,0	36,0
34				40,0	39,0	38,0	37,0	36,0	34,5	32,5
36				36,5	35,5	34,5	33,5	32,5	31,5	29,6
38				34,0	33,0	32,0	31,0	29,8	28,6	26,8
40					30,5	29,3	28,3	27,3	26,1	24,2
44					26,3	25,1	24,0	23,0	21,6	18,7
48						21,6	20,5	19,3	17,9	16,1
52							17,5	16,2	14,8	12,9
56							15,0	13,6	12,1	10,1
60								11,4	9,8	7,6
64									7,7	5,8
68									6,1	4,5
72										3,4
76										2,4

LIEBHERR LR 1400 -2

DIAGRAMA DE ALCANCE / WORKING RANGES



400 t

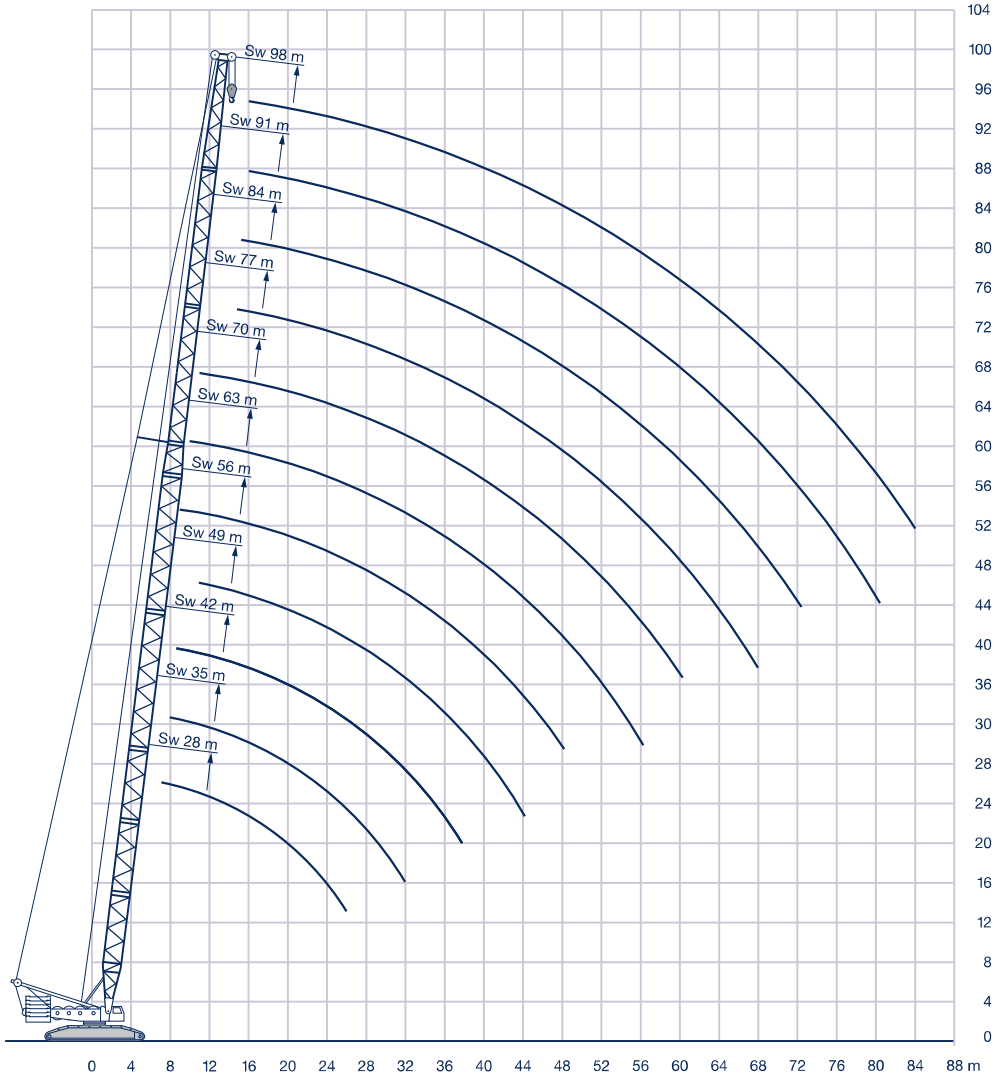


LIEBHERR LR 1400 -2

DIAGRAMA DE ALCANCE / WORKING RANGES



400 t



**EUROGRUAS****LIEBHERR LR 1400 -2****CAPACIDADES DE CARGA CON PLUMA PRINCIPAL Y DERICK SwD / LIFTING CAPACITIES ON SwD BOOM-DERRICK COMBINATION****400 t**

Radio Radius m	Pluma principal / Main Boom											
	35	42	49	56	63	70	77	84	91	98	105	112
	m	m	m	m	m	m	m	m	m	m	m	m
8		180,0										
9		180,0										
10	180,0	180,0	180,0	170,0								
11	171,0	170,0	166,0	158,0	150,0	142,0	128,0					
12	153,0	152,0	151,0	151,0	152,0	142,0	128,0	110,0*				
14	126,0	125,0	124,0	124,0	124,0	124,0	119,0	105,0*	98,0*	82,0*		
16	107,0	106,0	105,0	105,0	105,0	104,0	104,0	100,0*	96,0*	80,0*	76,0*	58,0*
18	93,0	91,0	90,0	90,0	90,0	90,0	89,0	88,0*	85,0*	78,0*	75,0*	58,0*
20	91,0	80,0	79,0	78,0	78,0	78,0	77,0	76,0*	75,0*	74,0*	71,0*	58,0*
22	72,0	71,0	70,0	69,0	69,0	69,0	68,0	67,0*	66,0*	66,0*	64,0*	58,0*
24	65,0	63,0	62,0	62,0	62,0	61,0	60,0	59,0*	58,0*	58,0*	57,0*	55,0*
26	58,0	57,0	56,0	55,0	55,0	55,0	54,0	53,0*	51,0*	52,0*	50,0*	50,0*
28	53,0	52,0	50,0	50,0	50,0	49,0	48,5	47,0*	46,0*	46,0*	44,5*	44,0*
30	48,5	47,0	46,0	45,5	45,0	44,5	43,5	42,5*	41,0*	41,5*	40,0*	39,5*
32	45,0	43,0	42,0	41,5	41,0	40,5	39,5	38,5*	37,0*	37,0*	36,0*	35,0*
34		40,0	38,5	38,0	37,5	37,0	36,0	35,0*	33,5*	33,5*	32,0*	31,5*
36		37,0	35,5	35,0	34,5	34,0	33,0	31,5*	30,5*	30,5*	29,1*	28,3*
38		34,0	32,5	32,0	32,0	31,0	30,0	28,8*	27,5*	27,6*	26,2*	25,5*
40			30,5	29,7	29,4	28,7	27,6	26,3*	25,0*	25,1*	23,7*	22,9*
44			26,2	25,6	25,2	24,5	23,4	22,1*	20,7*	20,8*	19,4*	18,5*
48				22,2	21,7	21,0	19,9	18,5*	17,2*	17,2*	15,8*	14,9*
52					18,9	18,1	16,9	15,6*	14,2*	14,2*	12,8*	11,9*
56					16,5	15,7	14,4	12,1*	11,7*	11,6*	10,2*	9,3*
60						13,6	12,3	10,9*	9,5*	9,4*	8,0*	7,0*
64							10,5	9,0*	7,6*	7,5*	6,1*	5,1*
68							8,9	7,4*	6,0*	5,9*	4,4*	3,4*
72								6,0*	4,5*	4,4*	2,9*	
76								5,2*	3,3*	3,1*		
80									2,1*			

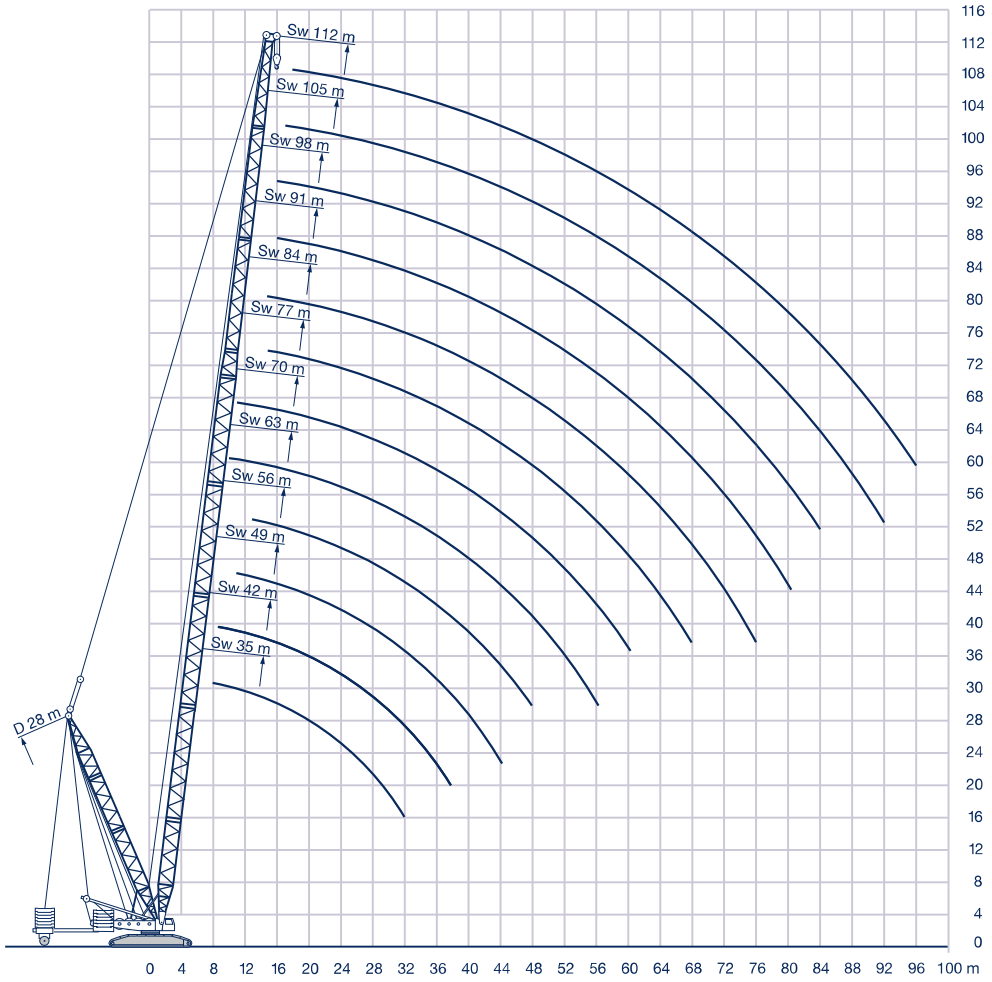
* Elevación solo con con contrapeso en derrick / Erectable only with derrick ballast

LIEBHERR LR 1400 -2

DIAGRAMA DE ALCANCE / WORKING RANGES



400 t





LIEBHERR LR 1400 -2

CAPACIDADES DE CARGA CON PLUMA PRINCIPAL Y DERRICK SD / LIFTING CAPACITIES ON SWD BOOM-DERRICK COMBINATION

400 t

43 t		155 t / 135 t		28 m - 119 m		28 m		360°						
Radio Rádus m	Pluma principal / Main Boom													
	28	35	42	49	56	63	70	77	84	91	98	105	112	119
	m	m	m	m	m	m	m	m	m	m	m	m	m	m
7		265,0	259,0											
8	238,0	233,0	228,0	224,0										
9	212,0	208,0	204,0	200,0	205,0									
10	189,0	188,0	188,0	189,0	185,0	175,0	166,0							
11	167,0	166,0	166,0	166,0	167,0	159,0	151,0	144,0						
12	149,0	149,0	148,0	148,0	148,0	146,0	139,0	132,0	126,0*					
14	123,0	122,0	121,0	121,0	121,0	120,0	118,0	113,0	108,0*	104,0*	96,0*			
16	104,0	103,0	101,0	101,0	101,0	100,0	99,0	98,0	94,0*	90,0*	86,0*	82,0*	72,0*	62,0*
18	89,0	88,0	87,0	86,0	86,0	85,0	84,0	83,0	83,0*	79,0*	76,0*	72,0*	70,0*	62,0*
20	78,0	77,0	75,0	75,0	74,0	73,0	72,0	71,0	71,0*	70,0*	67,0*	64,0*	62,0*	58,0*
22	69,0	68,0	66,0	66,0	65,0	64,0	63,0	62,0	61,0*	61,0*	60,0*	57,0*	55,0*	52,0*
24	62,0	60,0	59,0	58,0	57,0	56,0	55,0	54,0	53,0*	53,0*	52,0*	50,0*	49,0*	46,0*
26	56,0	54,0	53,0	52,0	51,0	50,0	48,5	47,5	46,5*	46,0*	45,5*	43,5*	43,5*	41,0*
28		49,0	47,5	46,5	45,5	44,5	43,0	42,0	41,0*	40,5*	39,5*	38,0*	37,5*	36,0*
30		44,5	43,0	42,0	41,0	39,5	38,5	37,5	36,5*	35,5*	34,5*	33,0*	32,5*	31,0*
32		41,0	39,0	38,0	37,0	35,5	34,5	33,0	32,0*	31,5*	30,5*	28,8*	28,3*	26,7*
34			35,5	34,5	33,5	32,0	31,0	29,7	28,6*	27,7*	26,8*	25,1*	24,5*	23,0*
36			32,5	31,5	30,5	29,1	27,8	26,5	25,4*	24,5*	23,6*	21,8*	21,2*	19,7*
38			30,0	28,8	27,5	26,3	25,0	23,7	22,6*	21,7*	20,7*	18,9*	18,3*	16,7*
40				26,4	25,1	23,9	22,5	21,2	20,1*	19,1*	18,1*	16,4*	15,7*	14,1*
44				22,5	21,0	19,7	18,3	16,9	15,8*	14,8*	13,7*	11,9*	11,2*	9,6*
48					17,7	16,3	14,8	13,4	12,2*	11,2*	10,1*	8,3*	7,5*	5,8*
52						13,4	11,9	10,5	9,2*	8,2*	7,0*	5,3*	4,5*	
56						11,1	9,5	8,0	6,7*	5,6*	4,5*			
60							7,5	5,9	4,5*	3,4*				
64								5,1						
68								2,5						

* Elevación solo con contrapeso en derrick / Erectable only with derrick ballast



EUROGRUAS

LIEBHERR LR 1400 -2

CAPACIDADES DE CARGA CON PLUMA PRINCIPAL Y DERRICK SDB/SDBW / LIFTING CAPACITIES ON SDB/SDBW BOOM-DERRICK COMBINATION

400 t

43 t 135 t 28 m - 119 m 28 m 260 t / 15 m 360°														
Radio Radius m	Pluma principal / Main Boom													
	28	35	42	49	56	63	70	77	84	91	98	105	112	119
	m	m	m	m	m	m	m	m	m	m	m	m	m	m
6,5	400,0													
7	400,0	400,0	400,0											
8	400,0	400,0	400,0	350,0										
9	347,0	400,0	400,0	350,0	328,0									
10	343,0	350,0	350,0	350,0	317,0	283,0	238,0							
11	340,0	347,0	350,0	348,0	307,0	282,0	237,0	201,0						
12	337,0	345,0	341,0	332,0	297,0	282,0	237,0	201,0	160,0					
14	317,0	316,0	310,0	302,0	278,0	264,0	236,0	200,0	158,0	133,0	115,0			
16	293,0	288,0	283,0	276,0	258,0	248,0	224,0	197,0	157,0	131,0	115,0	94,0	82,0	68,0
18	270,0	266,0	261,0	255,0	239,0	230,0	213,0	190,0	155,0	129,0	115,0	94,0	81,0	68,0
20	251,0	246,0	241,0	236,0	221,0	214,0	202,0	182,0	153,0	127,0	115,0	94,0	80,0	68,0
22	222,0	228,0	225,0	220,0	206,0	200,0	189,0	174,0	150,0	123,0	114,0	93,0	79,0	67,0
24	193,0	206,0	204,0	203,0	193,0	188,0	178,0	167,0	146,0	119,0	114,0	91,0	77,0	67,0
26	166,0	194,0	186,0	185,0	181,0	176,0	168,0	158,0	142,0	115,0	112,0	89,0	75,0	67,0
28		177,0	175,0	174,0	171,0	166,0	158,0	150,0	136,0	112,0	111,0	87,0	73,0	67,0
30		164,0	164,0	160,0	160,0	157,0	149,0	142,0	129,0	109,0	109,0	85,0	71,0	66,0
32		145,0	151,0	150,0	147,0	146,0	142,0	135,0	123,0	105,0	107,0	84,0	69,0	65,0
34			144,0	141,0	137,0	136,0	135,0	128,0	117,0	103,0	103,0	82,0	67,0	64,0
36			135,0	131,0	130,0	129,0	128,0	122,0	112,0	100,0	100,0	80,0	65,0	63,0
38			126,0	125,0	123,0	120,0	118,0	116,0	107,0	96,0	97,0	78,0	64,0	62,0
40				119,0	115,0	113,0	110,0	111,0	102,0	93,0	93,0	76,0	62,0	62,0
44				107,0	100,0	103,0	101,0	98,0	93,0	87,0	86,0	71,0	58,0	59,0
48					93,0	92,0	90,0	89,0	82,0	81,0	79,0	66,0	54,0	56,0
52						84,0	81,0	82,0	76,0	73,0	73,0	58,0	50,0	54,0
56						78,0	76,0	74,0	69,0	66,0	66,0	54,0	47,0	51,0
60							70,0	67,0	62,0	62,0	59,0	51,0	44,0	48,5
64								63,0	58,0	56,0	55,0	44,5	41,5	46,0
68								59,0	54,0	51,0	51,0	38,0	39,0	43,5
72									50,0	47,0	41,0	33,5	32,5	39,5
76									46,0	44,5	42,5	29,5	26,8	37,5
80										42,0	40,0	26,3	23,0	34,0
84											37,5	24,6	19,4	31,0
88												23,0	16,8	28,9
92													14,9	25,1
96													13,1	20,7
100													12,5	17,8
104														16,2

LIEBHERR LR 1400 -2

DIAGRAMA DE ALCANCE / WORKING RANGES



400 t

